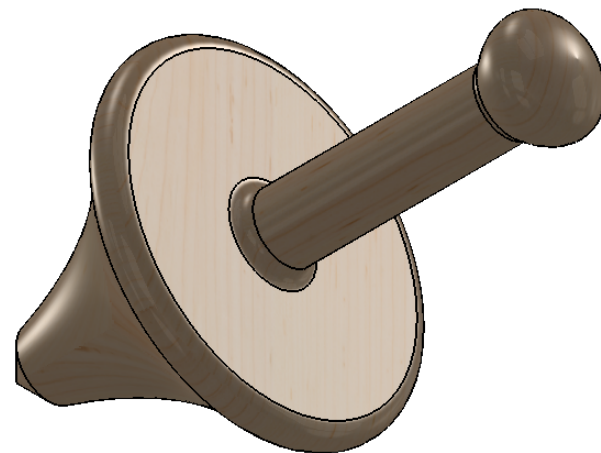
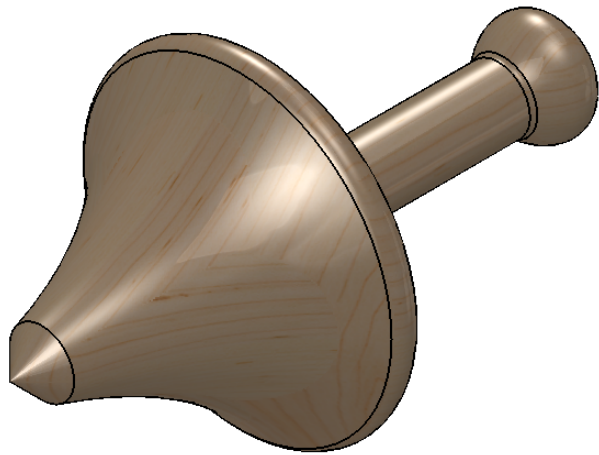
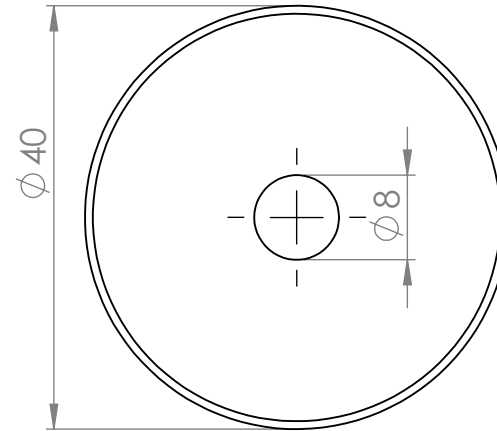
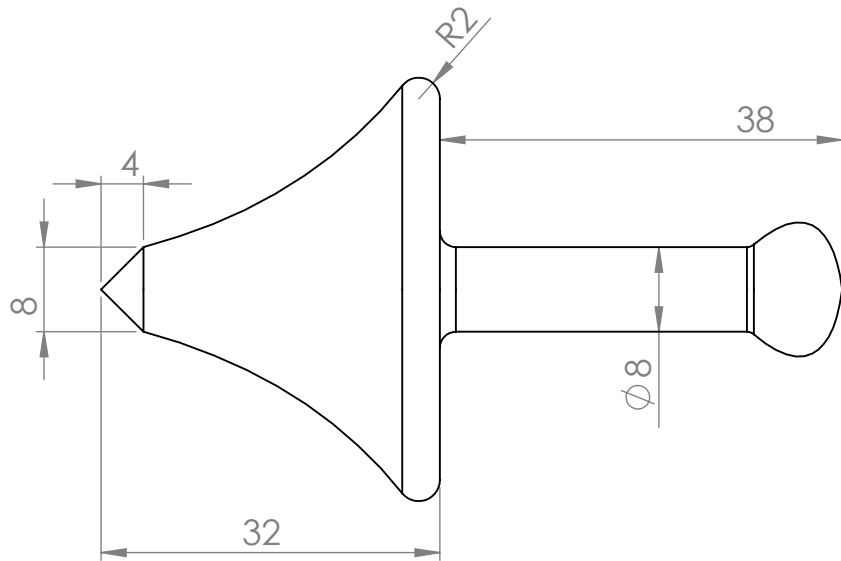


# Spinning Top



**SolidWorks Student Edition.  
For Academic Use Only.**